

पेटेंट कार्यालय  
शासकीय जर्नल

**OFFICIAL JOURNAL  
OF  
THE PATENT OFFICE**

---

---

निर्गमन सं. 28/2020  
ISSUE NO. 28/2020

शुक्रवार  
**FRIDAY**

दिनांक: 10/07/2020  
DATE: 10/07/2020

---

---

पेटेंट कार्यालय का एक प्रकाशन  
PUBLICATION OF THE PATENT OFFICE

## **INTRODUCTION**

In view of the recent amendment made in the Patents Act, 1970 by the Patents (Amendment) Act, 2005 effective from 01<sup>st</sup> January 2005, the Official Journal of The Patent Office is required to be published under the Statute. This Journal is being published on weekly basis on every Friday covering the various proceedings on Patents as required according to the provision of Section 145 of the Patents Act 1970. All the enquiries on this Official Journal and other information as required by the public should be addressed to the Controller General of Patents, Designs & Trade Marks. Suggestions and comments are requested from all quarters so that the content can be enriched.

**( Om Prakash Gupta )**  
**CONTROLLER GENERAL OF PATENTS, DESIGNS & TRADE MARKS**

**10<sup>TH</sup> JULY, 2020**

(54) Title of the invention : METHOD, SYSTEM AND APPARATUS FOR PREVENTING SHOULDER SURFING IN SECURE ELECTRONIC TRANSACTIONS

(51) International classification :H04L0029080000,  
G06F0017500000,  
G06F0017210000,  
H04N0013337000,  
G06F0003020000

(31) Priority Document No :NA  
(32) Priority Date :NA  
(33) Name of priority country :NA  
(86) International Application No :NA  
Filing Date :NA  
(87) International Publication No : NA  
(61) Patent of Addition to Application Number:NA  
Filing Date :NA  
(62) Divisional to Application Number :NA  
Filing Date :NA

(71)Name of Applicant :  
**1)R.V. College of Engineering**  
Address of Applicant :Mysore Road, R.V. Vidyaniketan Post,  
Bangalore Karnataka India

(72)Name of Inventor :  
**1)Azra Nasreen**  
**2)Shobha G**  
**3)Poornanand Purushottam Naik**

(57) Abstract :

A system (301) to prevent shoulder surfing attacks comprising a keypad shuffler (320) to generate a shuffled keypad layout (512) by changing the layout of plurality of keys, a colour channel (506) to produce the shuffled keypad layout of a first colour (514), a morphed keypad generator (510) to generate a morphed keypad layout (520), a display screen (360) without a polarizing film (404B) to block an information through a naked eye, and a pair of polarized glasses (390) to visualize the shuffled keypad layout of the first colour in the morphed keypad layout (520), wherein the shuffled keypad layout (512) is generated for every new session of using the system and the morphed keypad layout (520) is generated by merging the shuffled keypad layout of the first colour (514) and a sample keypad layout of a second colour (518). <FIG. 3A>

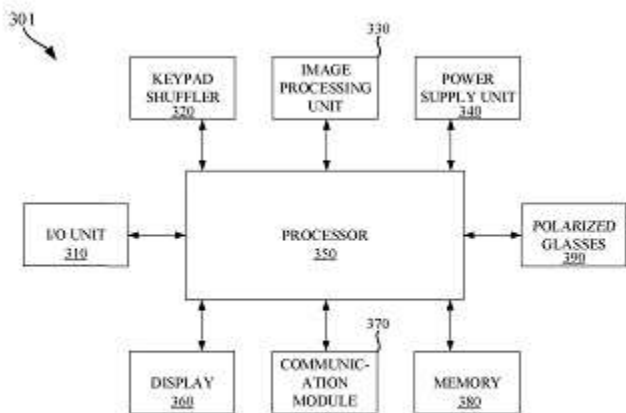


FIG. 3A

No. of Pages : 18 No. of Claims : 7